

THIS DRAWING IS UNPUBLISHED. RELEASED FOR PUBLICATION, 19 .  
 © COPYRIGHT 19 BY AMP INCORPORATED. ALL INTERNATIONAL RIGHTS RESERVED.

LOC G	DIST 14	P	F	REVISIONS			DATE	APPD
				ZONE	LTR	DESCRIPTION		
					G	REV PER 063A-0031-99	080CT99	JR/TM

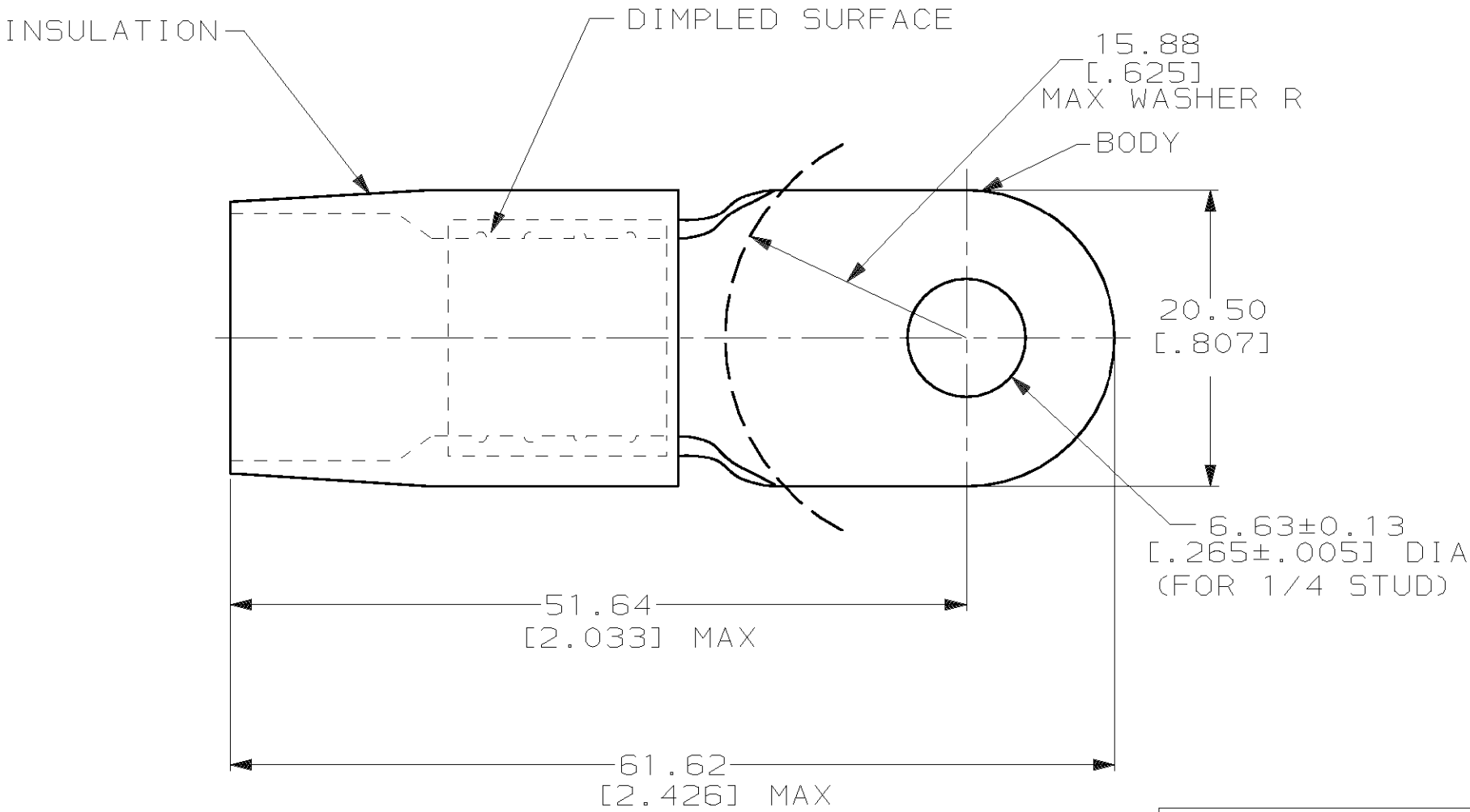
**AMP**  
WIRE RANGE

---

1/0 AWG  
STRANDED

**METRIC**  
DIMENSIONS LISTED IN mm [ INCHES ]

1. TONGUE MATERIAL THK 1.78±0.08 [.070±.003]  
FOR 14.73 [.580] MAX WIRE INS DIA



**AMP INCORPORATED  
CUSTOMER SERVICE SYSTEMS**

FOR ADDITIONAL PRODUCT INFORMATION OR COPIES OF DRAWINGS AND TECHNICAL DOCUMENTS	PRODUCT INFORMATION CENTER 1-800-522-6752
FOR APPLICATION TOOLING INFORMATION	TOOLING ASSISTANCE CENTER 1-800-722-1111
FOR ORDER ENTRY	1-800-526-5142

MAX RECOMMENDED OPERATING TEMPERATURE:  
105°c

VOLTAGE RATING:  
-

CIRCULAR MIL AREA:  
42.4-60.6mm<sup>2</sup> [83,700-119,500] STRANDED

THIS DRAWING IS A CONTROLLED DOCUMENT FOR AMP INCORPORATED. IT IS SUBJECT TO CHANGE AND THE CONTROLLING ENGINEERING ORGANIZATION SHOULD BE CONTACTED FOR THE LATEST REVISION.

MS25036-132 CLASS52	-	LOOSE PC	324056
MILITARY P/N AND CLASS	QTY	PACKAGE TYPE	PART NO
DO NOT SCALE PRINT. UNLESS SPECIFIED DIMENSIONS IN mm [INCHES] TOLERANCES ON: 2 PLC DEC ± 0.20 [.008] 3 PLC DEC ± - ANGLES ± -	DR 6-18-93 S.S. GOULDEN CHK 6-18-93 R. HERSEY APPD 6-18-93 B. BARE APPD 6-18-93 M. ELLIS	AMP AMP Incorporated Harrisburg, PA 17105-3608	
MATERIAL COPPER PER ASTM B-152 NYLON (MIL-M-20693) TYPE 1 COLOR: BLUE	PRODUCT SPEC -	NAME TERMINAL, RING TONGUE, TERMINYL WIRE SIZE: 1/0 AWG	
FINISH TIN PLATE PER MIL-T-10727	APPLICATION SPEC -	SIZE B	CAGE CODE 00779
	WEIGHT -	DRAWING NO C-324056	
		SCALE NTS	SHEET 1 OF 1